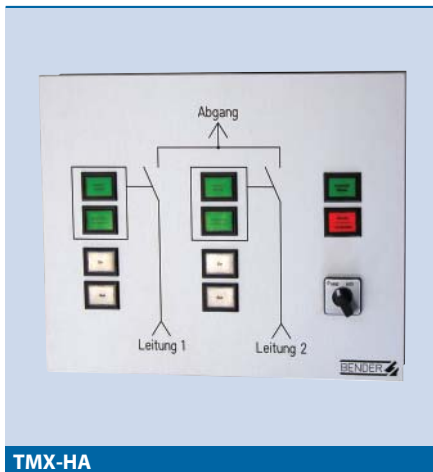


TMX-HA operator panel

Alarm indicator and operator panel for manual/automatic operation
of changeover equipment of the UMC...-HA und USC...-HA series



TMX-HA

Device features

- Front plate made of anodized aluminium
- Indicator lights for Line 1/2:
On, Automatic, Fault/Manual mode
- Indicator lights for Line 1/2:
voltage present, alternatively:
circuit breaker Q1/Q2 triggered
- Pushbutton On/Off Line 1/2
- Engraved block diagram
- Toggle switch for manual/automatic
changeover

Product description

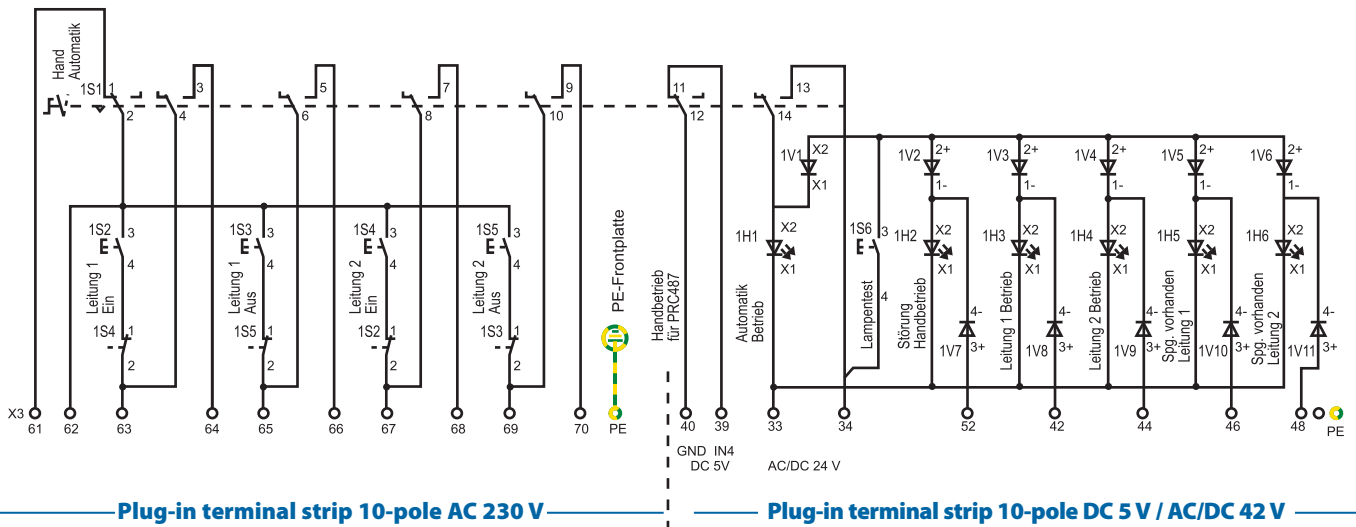
The TMX-HA alarm indicator and operator panel is used to select manual or automatic operating mode at the changeover equipment UMC...-HA or the control module USC...-HA. The panel is recommended to be installed in the cabinet door of the distribution board incorporating the changeover equipment. By means of a toggle switch manual or automatic mode can be selected. Indicator lights show the respective operating mode. In the manual mode, the respective line is switched on via the buttons On/Off.

An additional indicator light "Fault/manual mode" is built-in to signal faults in the changeover equipment. The other indicator lights are designed to indicate the current operating condition of Line 1 and Line 2.

Functions

- Toggle switch for manual/automatic changeover
- On/Off button for Line 1 and Line 2 in manual mode
- Indicator light "Fault/Manual mode" lights up on the occurrence of a fault in the changeover module equipment or indicates manual mode.
- Indicator light "Automatic" lights up in case of automatic mode.
- Two green "On" indicator lights for Line 1 and Line 2 alternatively: "K1 On", "K2 On" or "Q1 On", "Q2 On"
- Two green indicator lights "Voltage present" or "AV voltage present" "UPS voltage present"; alternatively two red indicator lights for "Q1 triggered" and "Q2 triggered" for use in conjunction with circuit breakers.

Wiring diagram



2.1

Technical data

Rated insulation voltage	230 V, 50...60 Hz
Type of voltage	AC
Supply voltage indicator lights	AC/DC 24 V

Built-in components

Indicator light "K1 On"	labelled: On/K1 On/Q1 On
Indicator light "K2 On"	labelled: On/K2 On/Q2 On
Two indicator lights	labelled: voltage present
Alternative labelling	AV voltage present, SV voltage present, UPS voltage present, when used in conjunction with circuit-breakers: Q1 (Q2) triggered
"On" button Line 1	yes
"On" button Line 2	yes
"Off" button Line 1	yes
"Off" button Line 2	yes
Indicator light "Fault/Manual mode"	yes
Indicator light "Automatic mode"	yes
Toggle switch manual/automatic	yes

General data

EMC immunity	acc. to EN 61000-6-2
EMC emission	acc. to EN 61000-6-4
Degree of protection, internal components/terminals (DIN EN 60529)	IP30/IP20
Protection class	Class I
Ambient temperature	-5 °C...+55 °C
Product standards	IEC 60364-7-710 / DIN VDE 0100-710 (VDE 0100-710)
Weight	≤ 1400 g

Ordering information

Type	Art. No.
TMX-HA	B 9202 4051

Dimension diagram
Dimensions are given in mm

